

DH-IPC-HFW3200S

2Megapixel Full HD Network Small IR-Bullet Camera



Features

- 1/3" 2Megapixel progressive scan Exmor CMOS
- H.264 & MJPEG dual-stream encoding
- 25/30fps@1080P(1920×1080)
- DWDR, Day/Night(ICR), 2DNR, AWB, AGC, BLC
- Multiple network monitoring: Web viewer, CMS(DSS/PSS) & DMSS
- 6mm fixed lens (3.6mm,8mm optional)
- Max. IR LEDs Length 20m
- IP66, PoE

DH-IPC-HFW3200S

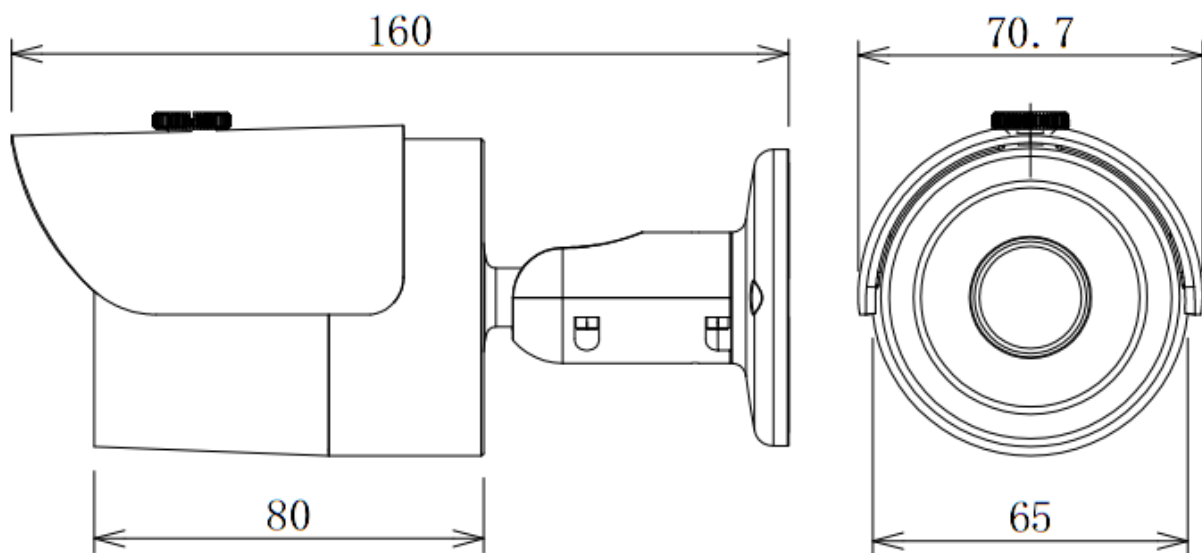
Technical Specifications

Model		DH-IPC-HFW3200SP	DH-IPC-HFW3200SN
Camera			
Image Sensor	1/3" 2Megapixel Exmor CMOS		
Effective Pixels	1920(H)x1080(V)		
Scanning System	Progressive		
Electronic Shutter Speed	Auto/Manual, 1/3~1/10000s	Auto/Manual, 1/4~1/10000s	
Min. Illumination	0. 1Lux/F1.2 (Color), 0.01Lux/F1.2(B/W);0Lux/F1.2(IR on)		
S/N Ratio	>50dB		
Camera Features			
Max. IR LEDs Length	20m		
Day/Night	Auto(ICR)/Color/B/W		
Backlight Compensation	BLC / HLC / DWDR		
White Balance	Auto		
Gain Control	Auto/Manual		
Noise Reduction	2D		
Privacy Masking	Up to 4 areas		
Lens			
Focal Length	6mm (3.6mm,8mm)		
Max Aperture	F1.6		
Angle of View	H: 46°(70°/35°)		
Lens Type	Fixed lens		
Mount Type	Board-in Type		
Video			
Compression	H.264 / MJPEG		
Resolution	1080P(1920×1080) / 720P(1280×720) / D1(704×576) / CIF(352×288)	/	1080P(1920×1080) / 720P(1280×720) / D1(704×480) / CIF(352×240) /
Frame Rate	Main Stream	1080P/720P(1 ~ 25/30fps)	
	Sub Stream	D1/CIF(1 ~ 25/30fps)	
Bit Rate	H.264: 32K ~ 8192Kbps, MJPEG: 32K ~20480Kbps		
Network			
Ethernet	RJ-45 (10/100Base-T)		
Protocol	IPv4/IPv6, HTTP, HTTPS, SSL, TCP/IP, UDP, UPnP, ICMP, IGMP, SNMP, RTSP, RTP, SMTP, NTP, DHCP, DNS, PPPOE, DDNS, FTP, IP Filter, QoS, Bonjour		
ONVIF	ONVIF Ver. 2.0		
Max. User Access	10 users		
Smart Phone	iPhone, iPad, Android, Windows Phone		
General			
Power Supply	DC12V, PoE (802.3af)		
Power Consumption	<6W		

DH-IPC-HFW3200S

Working Environment	-10°C~+60°C, 10%~90%
Ingress Protection	IP66
Dimensions	Φ63.5mm×160mm
Weight	0.4kg

Dimensions (mm)



Dahua Technology Co., Ltd.

1187 BinAn Road, Binjiang District, Hangzhou, China

Tel: +86-571-87688883

Fax: +86-571-87688815

Email: overseas@dahuatech.com

www.dahuatech.com

*Design and specifications are subject to change without notice.

© 2012 Dahua Technology Co., Ltd.